



## Remote Controlled Multicolor & White Lighting System

Thank you for purchasing CYRON HTP1202W3 LED Lighting System. This system will bring the latest lighting technology to your home theatre, home décor, cabinets, game rooms and many other applications. Installation of the system is simple and it can be done by anyone with little or no electrical experience. Nonetheless, some custom installations may require professional help.

### Contents

- Locate all system components. If any are missing or damaged contact CYRON before proceeding with installation.
- 1 x Controller, HTW300
- 1 x Remote, HTW-RMT03A
- 1 x Hub, HUB6A
- 2 x Lightbars, 5ft cord
- 2 x Lightbars, 10ft cord
- 1 x Power supply, PS12-SP12D
- 1 x IR receiver
- 1 x Interconnect cord
- 8 x Mounting brackets
- Hardware, Tapes, Wipes



### General Cautions

To reduce the risk of fire, electric shock, or injury:

- Route and secure cords so that they will not be pinched or damaged
- To further secure the wires, use only insulated staples or plastic ties
- Not intended for recessed installations
- Not intended for surface installation inside built-in furnishings
- Do not install the entire system in closed compartments smaller than 4 cubic feet (26"x30"x10")
- To comply with National Electrical Code (NEC) and to prevent fire danger, run the cords where they are accessible for examination. Cords should be visually examined periodically and immediately replaced when any damage is noted.

### Installations

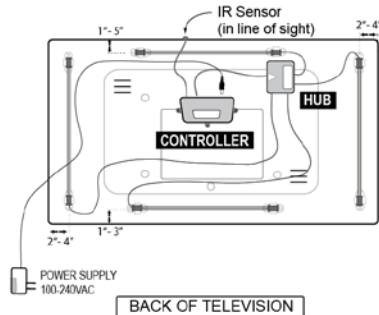
#### 1. LIGHTBAR LOCATIONS

There are many intended uses and methods of light placement. In most cases the objective is to place the lightbar so it is not directly visible. Feel free to experiment with light placement and direction of light projection. There may be more than one good location.

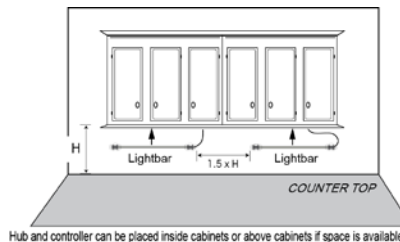
#### Television Backlighting:

Diagram shows a typical set up for a medium size TV. For larger TVs with heights over 28" the sides should only be illuminated by placing two lightbars on each side. Lights should be butted against each other to minimize a gap in the lights. Optional larger lights can be added to the top and bottom. The exact locations of lights may vary depending on the make and model of the TV.

TYPICAL SET UP FOR TVs NORMALLY SMALLER THAN 45" OR LESS THAN 28" IN HEIGHT



Same general locations work well for most other objects. There are many ways to backlight and accent light. Try various positions to achieve the desired results. Before installing make sure the wires reach the controller and hub. Note: Two lightbars have longer cords. See list of accessories for optional installation cords.



- CLEANING:** Using the wipes provided test a small area to make sure it does not affect the mounting surfaces. Clean the installation surfaces free of dust/grease to assure the two-sided tape adheres well.
- MOUNTING CLIPS:** Mounting clips can be secured using the two-sided tape or 1/2 inch screws. **DO NOT USE SCREWS FOR FASTENING TO ELECTRONIC DEVICES AND SENSITIVE SURFACES.** CAUTION: Tapes may cause discoloration to some surfaces over time. Remove one side of the tape liner and apply to the bottom of the clips. Apply pressure for 5 seconds to assure adhesion. Place clips on the lightbars.

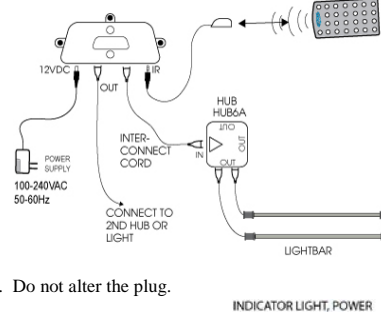
**4. LIGHTBAR PLACEMENT:** Remove the second side of tape liner. Keep the tape surface clean. Place the bars in the proper location by pressing on the clips for 5 seconds. CAUTION: Never press on the clear lens of bars. Lightbars will get damaged!

**5. CONTROLLER:** It should preferably be installed out of sight, while planning for the IR receiver to be installed in line of sight. Remote needs to be pointed at the IR receiver for operation. Cautions and Common practices:

- Keep the controller and wires away from extreme heat, liquids, and moving objects.
- Low voltage wires can be routed through cabinets as long as proper care is taken to avoid damages. Inspect wires frequently.
- DO NOT modify internal components. Tampering with components and wiring will void factory warranty.

**6. IR RECEIVER:** Plug in the IR receiver into Controller IR outlet.

**7. AC OUTLET:** Plug the power supply into an AC outlet. On some models the plug may be polarized (one blade is wider than the other) as a feature to reduce the risk of electric shock. If polarized the plug will fit in outlet only one way. If the plug does not fit fully in the outlet, reverse the plug. If it still does not fit, contact the factory or a qualified electrician. Never use with an extension cord unless the plug can be fully inserted. Do not alter the plug.



**8. DC JACK** Connect the power supply DC cord to the controller VDC input.

**9. LIGHTBARS:** Plug lightbars directly into the controller ports or the hub.



For ease of operation and diagnosis controller is equipped with two indicator lights. With 12VDC plugged in, power indicator light is red when unit is off and turns blue when unit is on. Output indicator light shows the output color displayed by the lightbars.

### Operations

HTW300 handheld remote is very intuitive. Please take some time to get familiar with all the functions.

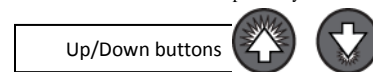
- ON** Power, Turn on
- OFF** Power, Turn off



### STATIC MODES (Solid Colors)

The color buttons correlate to the color of light displayed. W1, W2, W3, and W4 are four tones of white light resembling warmer to cooler tones of whites respectively.

Up/Down buttons allow for 10 steps of dimming in any static color.



### DYNAMIC MODES (Light Shows)



**STEP:** Sequentially displays seven preset colors (colors cannot be changed). 10 speeds available by pressing Up/Down buttons.

**COLOR TRANSITION:** Smooth color transition of lights thru a preset color pallet. 10 speeds to choose by pressing Up/Down buttons (color pallet cannot be changed).

**FADE:** Gradually fades in and fades out seven preset colors (colors cannot be changed).

**STROBE:** Flashes of any 16 static colors. First select the color of static lights by pressing any of the 12 colors or W1-W4. Then press the STROBE button. The chosen color will flash. There are 10 preset patterns to choose using the Up/Down buttons. Strobe has great applications for store fronts, signage, parties, display cases, holiday decorations, etc.


**SLEEP TIMER:** There are 12 timer settings of 1 hour through 12 hours. Each time the button is pressed the lights will flash according to the number of hours.  
>First press; lights flash once; system turns off in 1 hour.  
>Second press; lights flash twice; system turns off in 2 hours.  
>Third press; lights flash three times; system turns off in 3 hours. Same applies for up to 12 hours. Press again to go back to 1 hour. Press the **OFF** button to cancel timer.



**Cabinets, Shelving, Furniture:** Typical locations are top or bottom of the cabinets, behind furniture trimmings, on the shelves, and behind glass covers.



**MUSIC LIGHT.** The lights will interact with ambient sound. The placement of the controller and the volume of sound plays a big role in how well the Music Light performs. This will make an exciting light effect for parties, karaoke or gaming.

There are 4 Music Light modes which are different in how the lights behave when there is no sound. Pressing  will cycle through these 4 modes.

In each mode there are 10 sound sensitivity levels which can be adjusted by pressing Up/Down buttons. Each time the up or down button is pressed the light will blink twice confirming the command. The lights will blink only once if the highest or lowest level has been reached. Experiment with different types of sound and sensitivity levels to get the optimum performance.



Memory buttons 1, 2, 3 can be used to: A) Memorize static colors at any dimming level, B) Any one of the dynamic modes at any speed, C) Any of four music light modes. To memorize a color or mode, while in that mode press the MEM button followed by buttons 1, 2 or 3. Lights will blink twice confirming the process.

**Auto Turn ON/Off**

Controller can be set to automatically turn on every time the power has been disconnected and then restored. This is referred to as Auto On mode. Inversely, it can be set to never turn on automatically when the power is restored, also referred to as Auto Off.



Use Auto On setting and connect the controller to a timer or wall switch. Every time the power comes on the lights will turn on automatically.



To set the controller to Auto On: Turn off the lights using the power off button. Press the button sequence shown above. Lights will flash to confirm. Disconnect and reconnect power to test. Lights should turn on automatically. System will turn on in the same mode before they were turned off.



To set the controller to Auto Off:

Turn off the lights using the power off button. Press the button sequence shown above. Lights will flash to confirm. Disconnect and reconnect power to test. Lights should remain off.

**Technical Support**

CYRON's primary goal is 100% customer satisfaction. You may call our technical support line or contact us via email 24/7.  
techsupport@cyron.com  
818-772-1900 x106

In order to continually improve our products we welcome all comments about the product you purchased. Thank You!

**Warranty**

CYRON warrants this product against any defects in materials or workmanship for a period of ONE (1) year from the date of purchase. The warranty covers normal usage as intended by the factory and does not cover misuse, abuse, accidents, or damages caused due to the acts of God. Proof of purchase is required.

ANY IMPLIED WARRANTIES, INCLUDING WITHOUT LIMITATION THE IMPLIED WARRANTIES OF MERCHANTABILITY AND FITNESS FOR A PARTICULAR PURPOSE, SHALL BE LIMITED TO THE DURATION OF THIS LIMITED WARRANTY, OTHERWISE THE REPAIR, REPLACEMENT, OR REFUND AS PROVIDED UNDER THIS EXPRESS LIMITED WARRANTY IS THE EXCLUSIVE REMEDY OF THE CONSUMER, AND IS PROVIDED IN LIEU OF ALL OTHER WARRANTIES, EXPRESS OR IMPLIED. IN NO EVENT SHALL CYRON, INC. BE LIABLE, WHETHER IN CONTRACT OR TORT (INCLUDING NEGLIGENCE) FOR DAMAGES IN EXCESS OF THE PURCHASE PRICE OF THE PRODUCT, ACCESSORY OR FOR ANY INDIRECT, INCIDENTAL, SPECIAL OR CONSEQUENTIAL DAMAGES OF ANY KIND, OR LOSS OF REVENUE OR PROFITS, LOSS OF BUSINESS, OR OTHER FINANCIAL LOSS ARISING OUT OF OR IN CONNECTION WITH THE ABILITY OR INABILITY TO USE THE PRODUCTS OR ACCESSORIES TO THE FULL EXTENT THESE DAMAGES MAY BE DISCLAIMED BY LAW.

Some states and jurisdictions do not allow the limitation or exclusion of incidental or consequential damages, or limitation on the length of an implied warranty, so the above limitations or exclusions may not apply to you. This warranty gives you specific legal rights, and you may also have other rights that vary from state to state or from one jurisdiction to another.

Please email all warranty claims to: warranty@cyron.com

**Optional Accessories**

HUB6A  
CRD-HT-EXT3A  
CRD-HT-EXT15A

CON-HT10  
PS12-SP12D  
PS30-SP12DS

PS60-SP12D  
HTPB12  
HTPB12-B2-5  
HTPB15  
HTPB15-B2-5  
HTPB24  
HTPB24-B2-5

**Specifications**

Supply voltage range  
System power range  
Supply current  
Controller max ratings  
Working Temperature  
Common terminal  
Standby power  
Dimensions

Remote battery

6 outlet hub, MH Lightbars  
Hub Cord 3ft, Controller to HUB6A  
Extra long hub cord 15ft, Controller to HUB6A  
Light cord extension, 10ft  
Power supply, 12W wall plug type  
Power supply upgrade 30W, on/off switch, 5ft AC cord  
Power supp. upgrade, 60W, 6ft AC cord  
Lightbar, 2x12", 15ft cord, 1.1W /light  
Lightbar, 2x12", 5ft cord, 1.1W /light  
Lightbar, 2x15", 15ft cord, 2.0W /light  
Lightbar, 2x15", 5ft cord, 2.0W /light  
Lightbar, 2x24", 15ft cord, 4.5W /light  
Lightbar, 2x24", 5ft cord, 4.5W /light

10-12VDC  
0.5W to 4.5W max  
30mA min, 360mA max  
75W RMS, 100W peak  
-20 to 60°C  
Anode  
0.5W  
4 13/16" x 2 5/8" x 7/8" (122 x 67 x 20mm)  
CR2025, 3V



**REGISTER YOUR PRODUCT WARRANTY UPDATE DISCOUNTS COMMUNITY**

*What Would YOU Light Today!?*