

Solid-state  
**LED**  
Technology

# Multicolor RGB Wireless Controller

**HTW300**

USER MANUAL



*What Would  
**you**  
Light Today!™*

**Media Highlighter**



LIGHTING REVOLUTIONIZED

Chatsworth, California USA www.cyron.com

## Media Highlighter® IR Controller HTW300

Thank you for purchasing CYRON HTW300 Multicolor RGB controller. Please follow all the steps to assure proper installation and optimum usage of this device. Read through the instructions before you start your project.

### Contents \_\_\_\_\_

Locate all system components. If any of the components are missing or damaged contact CYRON before proceeding with installation.

- 1 X Controller
- 1 X Hub
- 1 X Interconnect cord
- 1 X Wireless remote
- 1 X IR sensor
- Mounting screws



WIRELESS REMOTE



CONTROLLER



HUB



IR SENSOR



HUB INTERCONNECT CORD



### Possibilities \_\_\_\_\_

HTW300 is compatible with all Cyron multicolor/RGB lights. Controller is provided with 2 ports for easy connections to two Media Highlighter Lightbars, one light and one hub, or two hubs.

### Installations \_\_\_\_\_

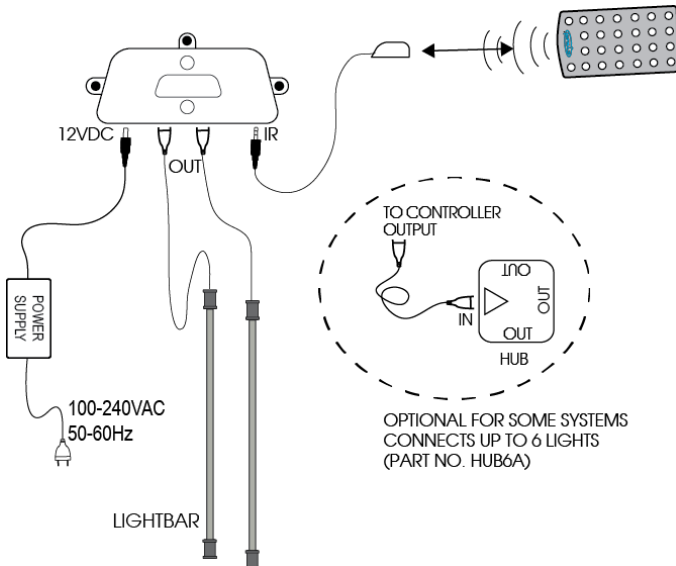
Controller should preferably be installed out of sight, while planning for the IR receiver to be installed in line of sight. REMOTE needs to be pointed at the IR receiver to operate. Use two sided tape to secure the sensor.

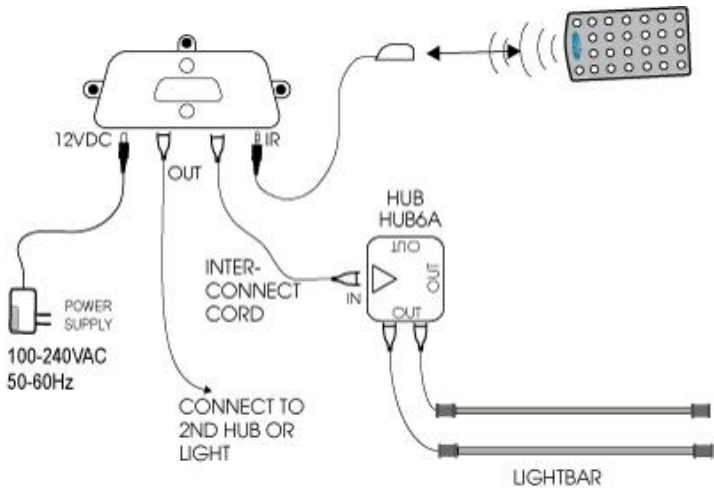


### Cautions and Common practices:

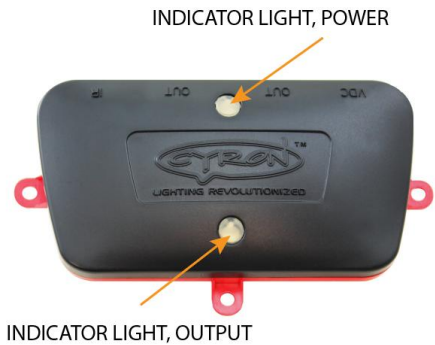
- Route and secure cords so that they will not be pinched or damaged
- Keep the controller and wires away from extreme heat, liquids, and moving objects.
- To further secure the wires, use only insulated staples or plastic ties
- Not intended for recessed installations
- Not intended for surface installation inside built-in furnishings
- When installing with Cyron lights as a whole system do not place in closed compartments smaller than 4 cubic feet (26"x30"x10")
- To comply with National Electrical Code (NEC) and to prevent fire danger, run the cords where they are accessible for examination. Cords should be visually examined periodically and immediately replaced when any damage is noted.

**STOP** DO NOT modify connectors and the internal components.  
Tampering with your lighting system may cause severe damage and voids factory warranty.





The Controller operates on fully regulated 12VDC power. The size (wattage) of the power supply depends on the number of lights being used. The total power must not exceed 75watts (12VDC operation). HTW300 has two output ports which can be plugged to lights and/or HUB6A. It is not suggested to connect more than two external hubs per controller.



For ease of operation and diagnosis controller is equipped with two indicator lights. With 12VDC plugged in, power indicator light is red when unit is off and turns blue when unit is on. Output indicator light shows the output color displayed by the lightbars.

### Operations \_\_\_\_\_

HTW300 remote functions are very intuitive. It has many features which may take some time to get familiar with. Please take some time to learn all.

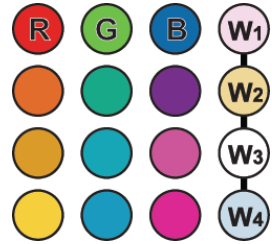
 Power, Turn on

 Power, Turn off

## STATIC MODES

The color buttons correlate to the color of light displayed. W1, W2, W3, and W4 are four tones of white light resembling warmer to cooler tones of whites respectively.

Up/Down buttons allow for 10 steps of dimming of any static color.



## DYNAMIC MODES



**STEP.** Sequentially displays seven preset colors (colors cannot be changed). 10 speeds available by pressing Up/Down buttons.

**COLOR TRANSITION.** Smooth color transition of lights thru a preset color pallet. 10 speeds to choose by pressing Up/Down buttons (color pallet cannot be changed).

**FADE.** Gradually fades in and fades out seven preset colors (colors cannot be changed).

**STROBE.** Flashes of any 16 static colors. First select the color of static lights by pressing any of the 12 colors or W1-W4. Then press the STROBE button. The chosen color will flash. There are 10 preset patterns to choose using the Up/Down buttons.



Strobe has great applications for store fronts, signage, parties, display cases, holiday decorations, etc.






**SLEEP TIMER.** There are 12 timer settings of 1 hour through 12 hours. Each time the button is pressed the lights will flash according to the number of hours.

>First press; lights flash once; system turns off in 1 hour.


>Second press; lights flash twice; system turns off in 2 hours.

>Third press; lights flash three times; system turns off in 3 hours.

Same applies for up to 12 hours. Press again to go back to 1 hour. Press the  button to cancel timer.



**MUSIC LIGHT.** The lights will interact with ambient sound that is picked up by the controller. The placement of the controller and the amplitude of the sounds plays a big role in how well the music light performs. This will make a wonderful light effect for parties, karaoke or gaming.

There are 4 modes which are different in how the lights behave when no sound is being received by the controller. Pressing  will cycle through these 4 modes.

In each mode there are 10 sound sensitivity levels which can be adjusted by pressing Up/Down buttons. Each time the up or down button is pressed the light will blink twice confirming the command. The lights will blink only once if the highest or lowest level have been reached. Experiment with different types of sound and sensitivity levels to get the optimum performance.



Memory buttons 1, 2, 3 can be used to: A) Memorize static colors at any dimming level, B) Any one of the dynamic modes at any speed, C) Any of four music light modes. To memorize a color or mode, while in that mode press the MEM button followed by buttons 1, 2 or 3. Lights will blink twice confirming the process.

### **Auto Turn ON/Off \_\_\_\_\_**

Controller can be set to automatically turn on every time the power has been disconnected and then restored. This is referred to as Auto On mode. Inversely, it can be set to never turn on automatically when the power is restored, also referred to as Auto Off.



Use Auto On setting and connect the controller to a timer or wall switch. Every time the power comes on the lights will turn on automatically.

To set the controller to Auto On: ③, ②, ⬆️

Turn off the lights using the power off button. Press the button sequence shown above. Lights will flash to confirm. Disconnect and reconnect power to test. Lights should turn on automatically. System will turn on in same mode before they were turned off.

To set the controller to Auto Off: ③, ②, ⬇️

Turn off the lights using the power off button. Press the button sequence shown above. Lights will flash to confirm. Disconnect and reconnect power to test. Lights should remain off.

**Specifications** \_\_\_\_\_

Supply voltage range	10-12VDC
Supply current	0.03A min, 6.25A max
	Continuous output power 75W @ 12VDC
Peak output power	100W
Working Temperature	-20 to 60°C
Common terminal	Anode
Standby power	0.5W
Dimensions	4 13/16" x 2 5/8" x 7/8" (122 x 67 x 20mm)
Remote, battery	CR2025, 3V

**Optional Accessories** \_\_\_\_\_

HUB6A	6 outlet hub, MH Lightbars, includes a 3ft cord (CRD-HT-EXT3A)
CRD-HT-EXT3A	Hub Cord 3ft, Controller to HUB6A
CRD-HT-EXT15A	Extra long hub cord 15ft, Controller to HUB6A
PS12-SP12D	Power supply, 12W wall plug type
PS30-SP12DS	Power supply, 30W, w/ DC switch desktop
PS60-SP12D	Power supply, 60W, desktop

**Technical Support** \_\_\_\_\_

CYRON's goal is 100% customer satisfaction. You may call our technical support line during business hours or contact us via email 24/7.

techsupport@cyron.com. 818-772-1900 x106

In order to continually improve our products we welcome all comments about the product you purchased. Thank You!

**Warranty** \_\_\_\_\_

Cyron warrants this product against any defects in materials or workmanship for a period of ONE (1) year from the date of purchase. The warranty covers normal usage as intended by the factory and does not cover misuse, abuse, accidents, or damages caused due to the acts of God. Proof of purchase is required.

ANY IMPLIED WARRANTIES, INCLUDING WITHOUT LIMITATION THE IMPLIED WARRANTIES OF MERCHANTABILITY AND FITNESS FOR A PARTICULAR PURPOSE, SHALL BE LIMITED TO THE DURATION OF THIS LIMITED WARRANTY. OTHERWISE THE REPAIR, REPLACEMENT, OR REFUND AS PROVIDED UNDER THIS EXPRESS LIMITED WARRANTY IS THE EXCLUSIVE REMEDY OF THE CONSUMER, AND IS PROVIDED IN LIEU OF ALL OTHER WARRANTIES, EXPRESS OF IMPLIED. IN NO EVENT SHALL CYRON, INC. BE LIABLE, WHETHER IN CONTRACT OR TORT (INCLUDING NEGLIGENCE) FOR DAMAGES IN EXCESS OF THE PURCHASE PRICE OF THE PRODUCT, ACCESSORY OR FOR ANY INDIRECT, INCIDENTAL, SPECIAL OR CONSEQUENTIAL DAMAGES OF ANY KIND, OR LOSS OF REVENUE OR PROFITS, LOSS OF BUSINESS, OR OTHER FINANCIAL LOSS ARISING OUT OF OR IN CONNECTION WITH THE ABILITY OR INABILITY TO USE THE PRODUCTS OR ACCESSORIES TO THE FULL EXTENT THESE DAMAGES MAY BE DISCLAIMED BY LAW.

Some states and jurisdictions do not allow the limitation or exclusion of incidental or consequential damages, or limitation on the length of an implied warranty, so the above limitations or exclusions may not apply to you. This warranty gives you specific legal rights, and you may also have other rights that vary from state to state or from one jurisdiction to another.

Please mail all warranty claims to:

CYRON, Inc.

21029-C Itasca St.,

Chatsworth, CA 91311 USA

Further warranty inquiries:

warranty@cyron.com



Scan to register  
with your  
smart phone

Please take a minute and register your product at  
<https://www.cyron.com/productregistration.aspx>



**LIGHTING REVOLUTIONIZED**

2015 CYRON, Inc., All rights reserved