



LIGHTING REVOLUTIONIZED

CHATSWORTH, CALIFORNIA USA
CYRON.COM

**Multicolor LED Lighting
Media Highlighter
E-SERIES**

Thank you for purchasing CYRON products. This system will bring the latest lighting technology to your home theatre, home décor, cabinets, and many other areas you choose. Installation of the system is simple and it can be done by anyone with little or no electrical experience. Nonetheless, some custom installations may require professional help. Please contact CYRON support team at techsupport@cyron.com for advice.

General Cautions



- To reduce the risk of fire, electric shock, or injury:
- Route and secure cords so that they will not be pinched or damaged
- To further secure the wires, use only insulated staples or plastic ties
- Not intended for recessed installations
- Not intended for surface installation inside built-in furnishings
- Do not install the entire system in closed compartments smaller than 4 cubic feet (26"x30"x10")
- To comply with National Electrical Code (NEC) and to prevent fire danger, run the cords where they are accessible for examination. Cords should be visually examined periodically and immediately replaced when any damage is noted.

Contents

Locate all system components. If any are missing or damaged contact CYRON before proceeding with installation.

Determining what you should have is based on the part number ordered.

Cyron part numbering nomenclature is as follows:

HTP xx yy E : xx=size of lights in inches; yy=number of lights

ie. HTP1506E has 15 inch lights bars, 6 lights

ie.. HTP904E has four 9 inch lights

1 x Controller / Hub

Lightbars, quantity according to system size

1 x Power supply

Mounting brackets (two per light)

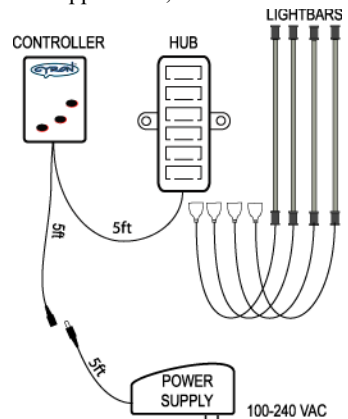
Tapes, Hardware, Wipes



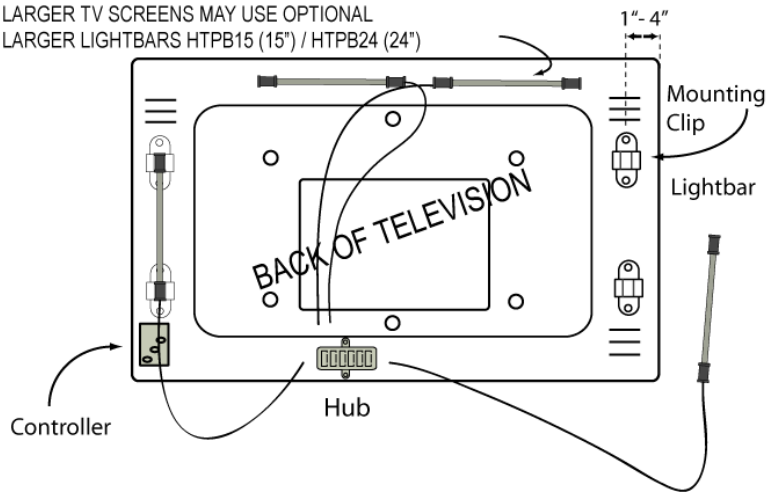
Installations

1. LIGHTBAR LOCATIONS NOTE: Depending on the application, as few as one or as many as six lightbars may be used.

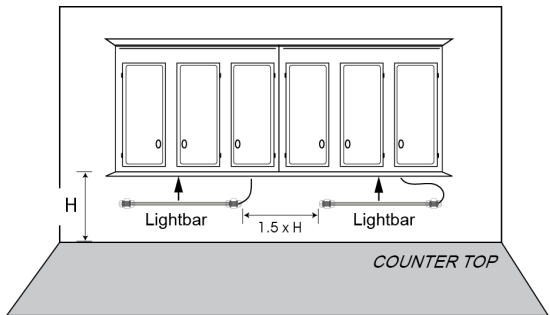
There are many intended uses and methods of light placement. In most of the cases, the objective is to place the lightbar so it is not directly visible, and its projected light is only seen. This is particularly important if combined colors such as white are being produced. Feel free to experiment with light placement and direction of light projection. There may be more than one good location.





Television Backlighting: The best location for television installations is normally behind the TV, about 1 to 4 inches from the outer edges (left and right in most cases). Also, vertically center the bars. See TV backlighting diagram. The exact location may vary depending on the make and model of the TV. **Cabinets, Shelving, Furniture:** Typical locations are: Top or bottom of the cabinets, behind furniture trimmings, on the shelves, and behind glass covers. Same general locations work well for most objects. There are many ways to backlight and accent light. Try various positions to achieve the desired results.



Cabinets, Shelving, Furniture: Typical locations are top or bottom of the cabinets, behind furniture trimmings, on the shelves, and behind glass covers. Same general locations work well for most other objects. There are many ways to backlight and accent light. Try various positions to achieve the desired results. Before installing make sure the wires reach the controller and hub. See list of accessories for optional installation plugs and extension cords.



2. **CLEANING**  Using the wipes provided test a small area to make sure it does not affect the mounting surfaces. Clean the installation surfaces free of dust/grease to assure the two-sided tape adheres well.

3. **MOUNTING CLIPS** Mounting clips can be secured using the two-sided tape or screws. **DO NOT USE SCREWS FOR FASTENING TO ELECTRONIC DEVICES AND SENSITIVE SURFACES.** 

CAUTION: Tapes may cause discoloration to some surfaces over time. Remove one side of the tape liner and apply to the bottom of the clips. Apply pressure for 5 seconds to assure adhesion. Place clips on the lightbars.

4. **LIGHTBAR PLACEMENT** Remove the second side of tape liner. Keep the tape surface clean. Place the bars in the proper location by pressing on the clips for 5 seconds. **CAUTION:** Never press on the clear lens of bars. Lightbars will get damaged! Note the direction of the wires being routed to the hub.

5. **HUB** Mount the hub using screws or tapes. Plug the lightbar connectors into hub outlets. The plugs are polarized and can only be plugged in one direction.

6. **CONTROLLER** Use tape to mount the controller in an accessible location. Some painted surfaces may get damaged upon future removal of the tape/controller.

7. **POWER UP** Plug the power supply into an AC outlet. The plug is polarized (one blade is wider than the other) as a feature to reduce the risk of electric shock. This plug will fit in a polarized outlet only one way. If the plug does not fit fully in the outlet, reverse the plug. If it still does not fit, contact the factory or a qualified electrician. Never use with an extension cord unless the plug can be fully inserted. Do not alter the plug.

8. **DC JACK** Connect the DC power jack into the controller DC cord.

Operations

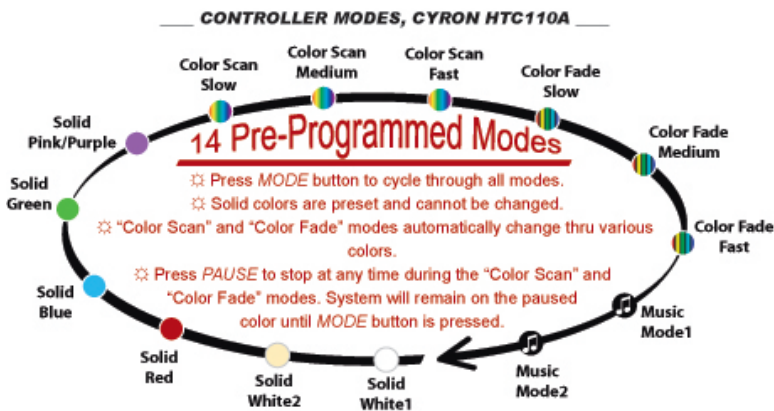
Turn the unit on and adjust the light angle by twisting the lightbars within the brackets. Try several angles to achieve the desired results.

Press MODE to cycle thru all pre-programmed modes.

During any of the light shows you can press PAUSE to freeze the lights on any color. Press MODE again to jump to the next light show.



“MODE” button cycles through 14 functions as shown in the diagram. Press of a button is confirmed by a short fast blink of the Indicator Light. “PAUSE” button will stop the color transition in any of the color transition or color fade modes.



Optional Settings

Turn LED System ON when an outlet is switched on: Plug the power supply to a switched power source such as audio receiver’s “Switched Power” or wall outlet that is controlled by a wall switch. Make sure the outlet is switched on. Using the POWER button on the controller, make sure the LED System is off. Press and hold the MODE button for 3 seconds. Now the unit will turn on automatically every time the outlet is turned on.

LED System remains OFF when an outlet is switched on: In a similar process, press and hold the PAUSE button for 3 seconds. The system will remain off every time the outlet is switched on. In this mode, the system can only be turned on from the controller by pressing the POWER button.

Technical Support

CYRON's goal is 100% customer satisfaction. Technical support can be reached at techsupport@cyron.com. To continually improve our product we welcome all comments about the product you purchased.

Thank You!

Warranty _____

Cyron warrants this product against any defects in materials or workmanship for a period of ONE (1) year from the date of purchase. The warranty covers normal usage as intended by the factory and does not cover misuse, abuse, accidents, or damages caused due to the acts of God. Proof of purchase is required.

ANY IMPLIED WARRANTIES, INCLUDING WITHOUT LIMITATION THE IMPLIED WARRANTIES OF MERCHANTABILITY AND FITNESS FOR A PARTICULAR PURPOSE, SHALL BE LIMITED TO THE DURATION OF THIS LIMITED WARRANTY, OTHERWISE THE REPAIR, REPLACEMENT, OR REFUND AS PROVIDED UNDER THIS EXPRESS LIMITED WARRANTY IS THE EXCLUSIVE REMEDY OF THE CONSUMER, AND IS PROVIDED IN LIEU OF ALL OTHER WARRANTIES, EXPRESS OR IMPLIED. IN NO EVENT SHALL CYRON, INC. BE LIABLE, WHETHER IN CONTRACT OR TORT (INCLUDING NEGLIGENCE) FOR DAMAGES IN EXCESS OF THE PURCHASE PRICE OF THE PRODUCT, ACCESSORY OR FOR ANY INDIRECT, INCIDENTAL, SPECIAL OR CONSEQUENTIAL DAMAGES OF ANY KIND, OR LOSS OF REVENUE OR PROFITS, LOSS OF BUSINESS, OR OTHER FINANCIAL LOSS ARISING OUT OF OR IN CONNECTION WITH THE ABILITY OR INABILITY TO USE THE PRODUCTS OR ACCESSORIES TO THE FULL EXTENT THESE DAMAGES MAY BE DISCLAIMED BY LAW.

Some states and jurisdictions do not allow the limitation or exclusion of incidental or consequential damages, or limitation on the length of an implied warranty, so the above limitations or exclusions may not apply to you. This warranty gives you specific legal rights, and you may also have other rights that vary from state to state or from one jurisdiction to another.

Please Email all warranty claims to warranty@cyron.com

Specifications

Supply voltage range	10-12VDC
System power range	0.5W min
Max power according to system size	1.1W per 9" light 1.1W per 12" light 2.5W per 15" light 4.5W per 24" light
Supply voltage range	100-240VAC, 50/60Hz
DC Supply current	System dependent
Controller output rating	18W nominal, 30W peak
Working Temperature	-20 to 60°C
Common terminal	Anode
Standby power	<0.5W



Optional Upgrades

Visit Cyron.com for all your upgrades and accessory needs.

Control the lights with your smart speaker, or phone App from anywhere in the world:

Controller upgrade HTW400BWF

Control your lights with a handheld remote from across the room:

Controller upgrade HTW300

Love the system and need additional lights?

HTPB9 9inch pair

HTPB12 12inch pair

HTPB15 15inch pair

HTPB24 24inch pair

Power upgrade when you add more than two 9" lights:

PS24-SP12D

Additional hubs for having more than 6 lights and ability of placing the 2nd hub at another place via the link cord:

HUB6A + CRD-HTIC3A (3ft) or CRD-HTIC15A (15ft)

Extension cord for lights

CON-HT15



What Would YOU Light Today



Intertek

CONFORMS TO STD UL153

CERTIFIED TO CSA STD C22.2 NO. 250.4